



VHF MARINE TRANSCEIVER

IC-M502



▲Optional COMMANDMIC[®], HM-127B

Easy waterproof operation ... manually or by remote!

New compact 4×6" flush mount design

The IC-M502, with its slim dimensions, will easily fit into your cabin console or dashboard. The generous front panel provides large function switches and a wide LCD. With full dot matrix characters, information can be easily read under any lighting conditions.

Optional fully integrated COMMANDMIC[®]

By adding an optional COMMANDMIC[®], HM-127B/HM-127W, all available functions of the IC-M502 (except DSC operation) can be controlled from remote locations, such as from the deck or flybridge.

Waterproof protection

Don't worry about water of any kind. With a waterproof rating equivalent to JIS 7, the IC-M502 and COMMANDMIC[®] have been constructed to withstand the wettest conditions (1m/30 min.; except cables).

Built-in Digital Selective Calling (DSC), which meets RTCM SC101 proposal

An independent "DISTRESS" switch with spring-type cover can transmit a formatted distress alert with your position and time. Up to 40 distress IDs are available. Also, 40 received messages can be stored (distress or other). Emergency readiness can be edited to your preference in advance. When a GPS is connected, the LCD displays latitude, longitude and time (UTC or local).



And more...

- All International, U.S.A.* and Canadian* channels, plus weather channels* with alert function available (* U.S.A. version only)
- Supplied 'Smart-Speaker-Mic.' for clear reception and transmission
- Convenient "TAG" scanning function with simple add/delete
- Instant access to Ch 16 and 9 (or Call channel)
- Optional UT-98 or UT-112 for communications privacy
- Up to 22 free channels are available (ask your dealer for details)
- Black or white versions available
- Keypad backlighting for 8 levels

Icom Inc.

SPECIFICATIONS

GENERAL

- Frequency range : Tx 156.025–157.425 MHz
Rx 156.050–163.275 MHz
- Mode : 16K0G3E (FM)
16K0G2B (DSC)
- Usable channels : All International, U.S.A.* and Canadian* channels, plus 10 Weather channels* (* U.S.A. version only)
- Power supply requirement: 13.8 V DC \pm 15 %
- Current drain (at 13.8 V DC):
Transmit 6.5 A (at 25 W output)
Receive 1.2 A (at max. AF)
- Operating temp. range: -20°C to +60°C ;
-4°F to +140°F
- Frequency stability : \pm 10 ppm (-20°C to +60°C)
- Antenna connector : SO-239 (50 Ω)
- Dimensions : 165(W) \times 110(H) \times 84.4(D) mm ;
(proj. not included) 6½(W) \times 4¼(H) \times 3⅝(D) in.
- Weight (approx.) : 1.13 kg ; 2 lb 7.8 oz

TRANSMITTER

- Output power : 25 W or 1 W (at 13.8 V DC)
- Modulation system : Variable reactance freq. mod.
- Max. Freq. deviation: \pm 5.0 kHz
- Spurious emissions : -70 dB
- Residual modulation: More than 40 dB
- Adjacent Ch. power : 70 dB

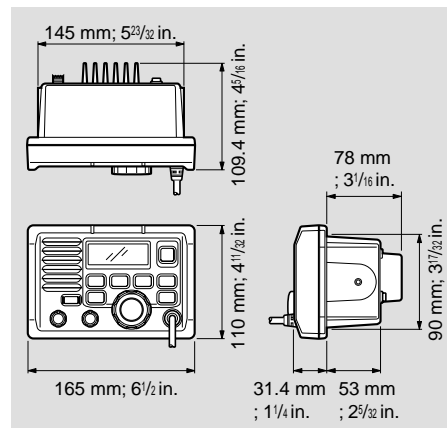
RECEIVER

- Receive system : Double conversion super-heterodyne
- Intermediate freq. : 1st 21.7 MHz
2nd 450 kHz
- Sensitivity : Less than 0.32 μ V
(at 12 dB SINAD)
- Squelch sensitivity : Less than 0.32 μ V
- Adjacent channel selectivity: More than 75 dB
- Spurious response : More than 75 dB
- Intermodulation rejection ratio: More than 75 dB
- Audio output power : More than 3.5 W
(at 10% distortion with a 4 Ω load)
- GPS interface : NMEA0183 ver. 2.0

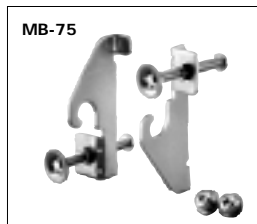
Supplied accessories:

- Hand microphone
- DC power cable
- Spare fuses
- Mounting bracket kit

All stated specifications are typical and subject to change without notice or obligation.



OPTIONS



- **MB-75 FLUSH MOUNT KIT**
For flush-mounting the IC-M502 to a flat surface such as a control panel.

- **UT-98 VOICE SCRAMBLER UNIT**
Enables private communication by scrambling your voice signal. Up to 128 scrambling codes are available. Not available in some countries. Scrambling system is not compatible with the UT-112.
- **UT-112 VOICE SCRAMBLER UNIT**
Enables private communication by scrambling your voice signal. Up to 32 scrambling codes are available. Not available in some countries. Scrambling system is not compatible with the UT-98.
- **OPC-999 EXTENSION CABLE FOR HM-127B/W**
6 m (20 ft) of extension cable for additional lengthening for use with COMMANDMIC®.



- **HM-127B/W REMOTE-CONTROL MICROPHONE**
With slim dimensions, the COMMANDMIC® fits in your palm comfortably and with the sizable LCD, allows you to control all functions of the IC-M502 (except DSC operation). You can talk with the IC-M502 as an intercom. Size (W \times H \times D): 63.5 \times 125.0 \times 31.4 mm; 2½ \times 4⅞ \times 1¼ in. Weight (approx.; except cables): 150 g ; 5.29 oz
Supplied accessories :
• 6 m (20 ft) of cable • Mic. hanger
• Mounting base for cable connector
Please note that the HM-127B/W is not compatible with the HM-134B. COMMANDMIC is a registered trademark of Icom Inc (Japan) in the United States.



Icom Inc.

1-1-32, Kamiminami, Hirano-ku, Osaka 547-0003, Japan Phone: 06 6793 5302 Fax: 06 6793 0013 URL: <http://www.icom.co.jp/world/index.html>

Count on us!

Icom America Inc.

<Corporate Headquarters>
2380 116th Avenue N.E., Bellevue, WA 98004, U.S.A.
Phone: (425) 454-8155 Fax: (425) 454-1509
URL : <http://www.icomamerica.com>
<Customer Service> Phone : (425) 454-7619

Icom Canada

Glenwood Centre #150-6165 Highway 17,
Delta, B.C., V4K 5B8, Canada
Phone: (604) 952-4266 Fax: (604) 952-0090
URL : <http://www.icomcanada.com>

Icom (Australia) Pty. Ltd.

A.B.N. 88 006 092 575
290-294 Albert Street, Brunswick, Victoria, 3056, Australia
Phone: 03 9387 0666 Fax: 03 9387 0022
URL : <http://www.icom.net.au>

Icom New Zealand

146A Harris Road, East Tamaki, Auckland, New Zealand
Phone: 09 274 4062 Fax: 09 274 4708
URL : <http://www.icom.co.nz>

Icom (Europe) GmbH

Communication Equipment
Himmelgeister Str. 100, D-40225 Düsseldorf, Germany
Phone: 0211 346047 Fax: 0211 333639
URL : <http://www.icomeurope.com>

Icom Spain S.L.

Ctra. de Gracia a Manresa Km. 14,750
08190 Sant Cugat del Valles Barcelona, SPAIN
Phone: (93) 590 26 70 Fax: (93) 589 04 46
URL : <http://www.icomspain.com>

Icom (UK) Ltd.

Unit 9, Sea St., Herne Bay, Kent, CT6 8LD, U.K.
Phone: 01227 741741 Fax: 01227 741742
URL : <http://www.icomuk.co.uk>

Icom France S.a

Zac de la Plaine, Rue Brindejone des Moulains
BP 5804, 31505 Toulouse Cedex, France
Phone: 561 36 03 03 Fax: 561 36 03 00
URL : <http://www.icom-france.com>

Asia Icom Inc.

6F No. 68, Sec. 1 Cheng-Teh Road,
Taipei, Taiwan, R.O.C.
Phone: (02) 2559 1899 Fax: (02) 2559 1874
URL : <http://www.asia-icom.com>

Beijing Icom Ltd.

1305, Wanshang Plaza, Shijingshan Road,
Beijing, China
Phone: (010) 6866 6337 Fax: (010) 6866 3553



Certificate Number Q14190

Icom Inc. (Japan), is an ISO9001 certification acquired company.

Your local distributor/dealer: